



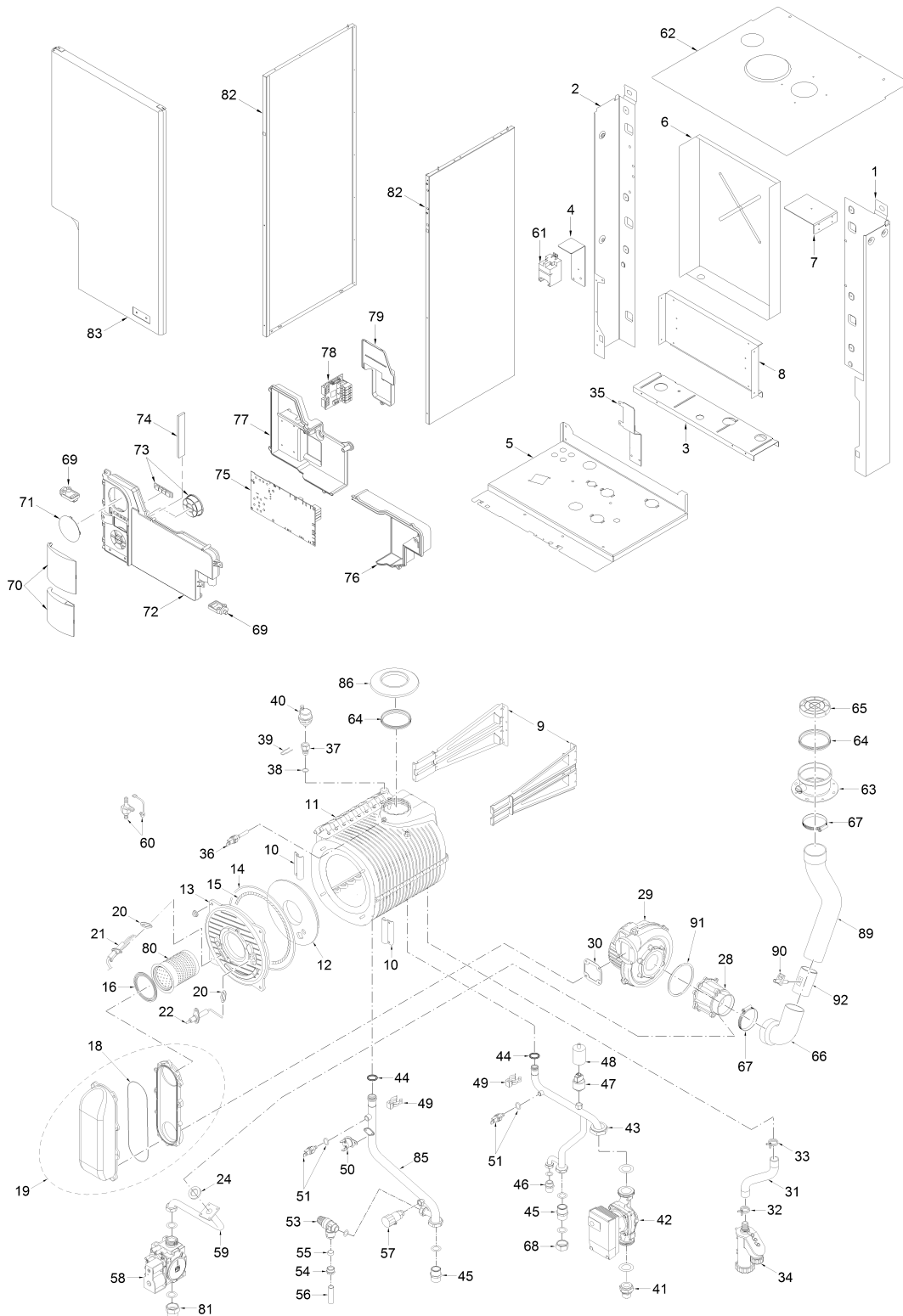
Fonderie Sime S.p.A. - Via Garbo, 27 - 37045 Legnago (VR) - www.sime.it
 Tribunale Verona 13531 - R.E.A. VR 171357 - C.C.P. 19423375 - N° Mecc. VR 014435
 Capitale Sociale Euro 5.521.200 int. versato - Codice Fiscale/Partita IVA n. IT 01275930236

Comfort Ambiente - Via Garbo, 27 - 37045 Legnago (VR)

Tel +39 0442 631111 - Fax Servizio Commerciale: Italia +39 0442 631291 - Estero +39 0442 631293

Fax Servizio Tecnico +39 0442 631292 - Fax Ufficio Acquisti +39 0442 631292 - Fax Amministrazione +39 0442 631336

8104981 MURELLE HE 70 R ErP



Position	Code	Description	Where used
001	6138533	Right hand side frame part	
002	6138632	Left hand side frame part	
003	6255431	Expansion vessel lower support	
004	6256750	Transformer fixing bracket	
005	6138900	Frame assembly lower side	

006	6266081	Rear panel
007	6256751	Upper protection fixing bracket
008	6267156	Main exchanger support. bracket
009	6010874	Main exchanger support. bracket
010	6010829	Main exchanger fixing bracket
011	6278918	Main exchanger body
012	6269011	Main exchanger door insulation
013	6278857	Main exchanger door
014	6248861	Combustion chamber O-ring
015	6248860	Glass fibre sealing cord
016	6174823	Gasket for burner flange
018	6174819	Air-gas hose gasket
019	6278880	Air-gas full hose
020	6174809	Gasket for ignition electrode
021	6221632	Ignition electrode
022	6221623	Ionisation electrode
023	6028703	Gasket for duct flange
024	2030272	Piracriten gasket Ø 20X33X4
028	6274366	Air/gas mixer
029	6261426	Fan
030	6174816	Gasket for fan flange
031	6034155	Condensate drainage pipe
032	2051122	Clamp diam. 22,1
033	2051123	Clamp diam. 24,2
034	6277207	Water trap
035	6293005	Trap fixing bracket
036	6277130	Probe NTC D.4X40
037	6112331	Bush
038	6226464	O-ring 115 diam. 11,91x2,62
039	6226624	Spring air vent knob
040	6013102	Automatic air vent 1/4"
041	6277953	Pump connecting pipe
042	6272335	Circulating pump
043	6277949	Pipe connecting pump-exchanger
044	6226471	ORing 19x3,15
045	6120540	Nipple 1"x1" OT
046	6120510	Nipple 1/2"x1/2" OT
047	6273603	Water press.transd. HUBA CONTR
048	6175401	Cover for micro switches
049	6226637	Spring clip
050	6146701	100°C safety stat
051	6281519	Plunged sensor + gasket
053	6040212	Press. relief valve 1/2" 3.5 ba
054	6168401	Locking nut for pipe Ø 15
055	6100202	Ogive for pipe Ø 15
056	6157623	Pressure relief valve drain pip
057	6017211	Manual air vent 1/4"
058	6243837	Gas valve
059	6277461	Pipe connecting gas valve-mixer
060	6280590	Three way fitting + cap kit
061	6098315	Ignition transformer
062	6010872	Upper protection shield
063	6083062	Flue inlet flange Ø 80
064	6248802	Gasket Ø 80
065	6190001	Intake terminal Ø 80
066	6001171	Air intake pipe 60
067	2051200	Hose clamp Ø 50-70
068	6229502	Plug 1" F. OT
069	6302000	Plastic pin
070	6304890	Flap door assembly
071	6247327	Cap for time programmer
072	6304700	Control panel
073	6305120	Kit Rubber button
074	6305160	Guidelight with led
075	6301480	Main PCB
076	6305010	connection cover
077	6305000	Cover
078	6301465	PCB expansion
079	6305020	Time programmer cover
080	6278361	Burner
081	6104708	M.F. bushing 3/4" UN1x3/4" NPT
082	6304463	casing left/right side panel
083	6304231	Casing front panel
085	6227492	Flowing pipe to C.H. system
086	6230402	External ring for pipe diam.80
089	6001172	Air intake pipe 60
090	6263916	Fan pressure test point

091	6226481	OR gasket 69.85X3.53
092	6028695	Air tube diaphragm d.37
701	6281534	Gaskets kit
703	5197149	Complete control panel
704	6319163	3 pole cable connector
705	6319162	4 pole cable connector
706	6325683	5 pole cable connector
707	6319164	9 pole cable connector
708	6323824	14 pole cable connector
709	6299991	4 pole cable connector CN12
710	6316202	Connector 4 poli
711	6316203	Connector 4 poli CN4
712	6316204	Connector 8 poli CN7
713	6319165	5 pole cable connector
714	6186587	Ionisation electrode cable
715	6141902	Plug Wieland ST 18/5 S
716	6316200	Connector 2 poli
717	6316201	Connector 4 poli